

**Diamond Door Products, Ltd.**

52294 Hwy 290 West  
Hempstead, TX 77445

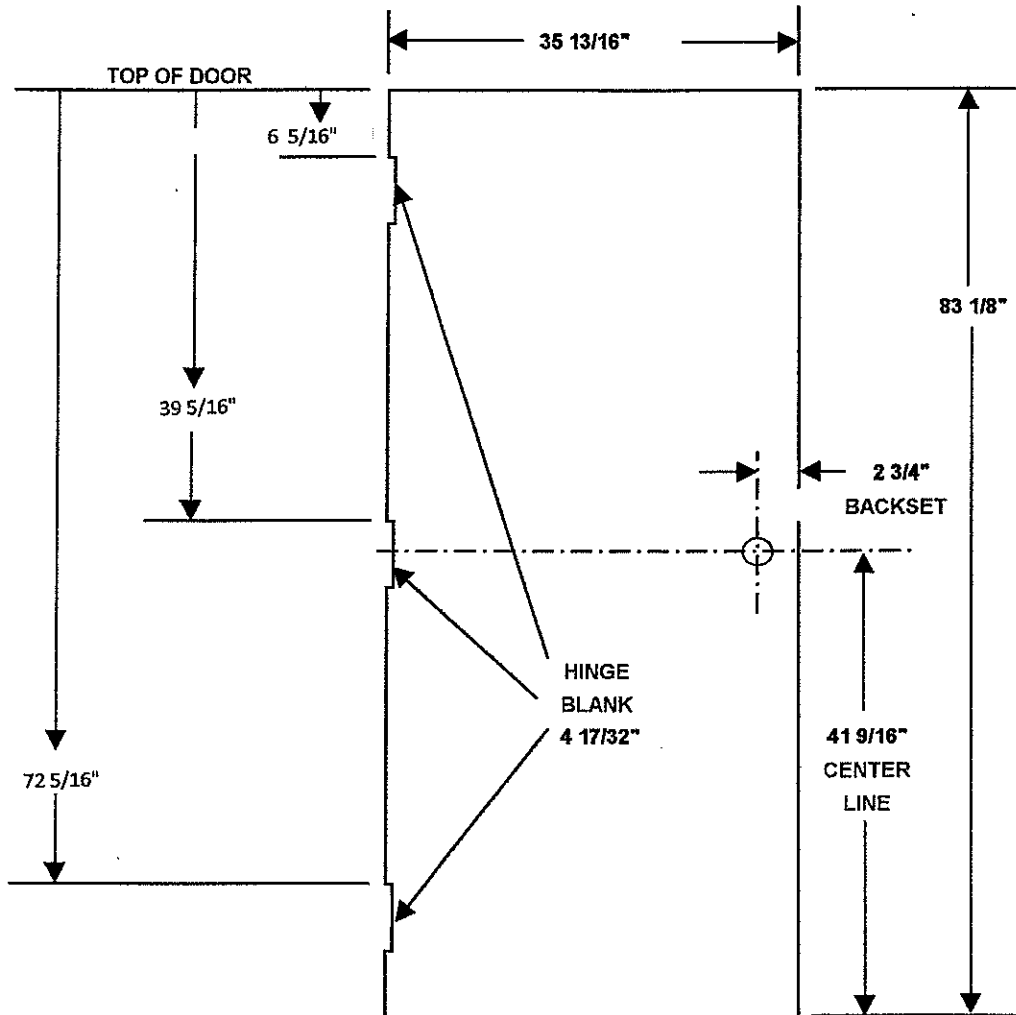
Phone: 979-826-0238

Fax: 9979-826-0317

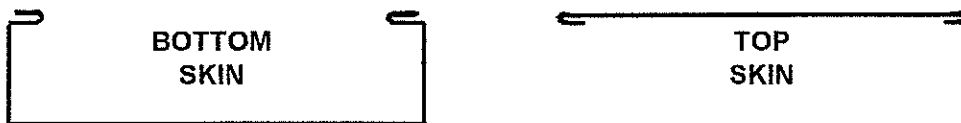
**Diamond Door Products, Ltd.**

**Door Hardware Locations**

**TYPICAL 3070 M DOOR**



**\*\* NOTE \*\* BEVELED EDGE DOORS ARE REVERSIBLE BY FLIPPING LEAF END FOR END.**



**\*\* LOCK EDGE IS BEVELED 1/8" IN 2" TO ASSURE PROPER FIT.**

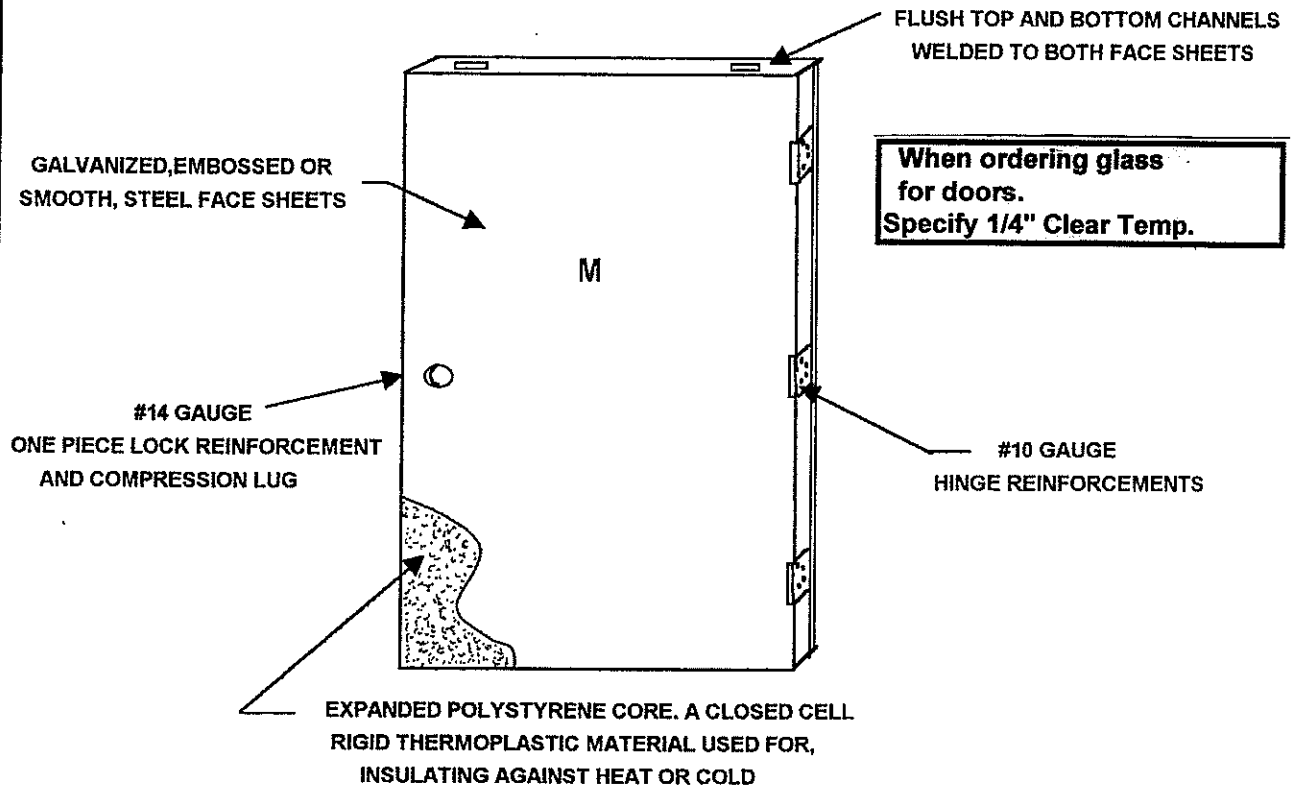
**\*\* LOCK EDGE CAN BE SQUARED FOR USE ON 1/2 GLASS DOORS SO HANDING IS NOT NECESSARY.**

**\*\* ALL VERTICAL EDGES OF DOOR ARE HEMMED TO ELIMATE RAW EDGE METAL**

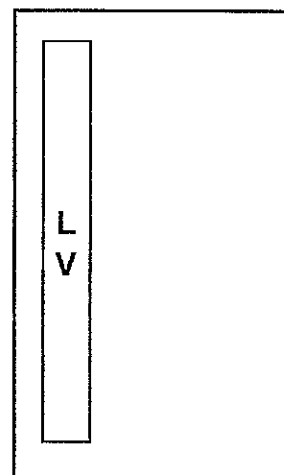
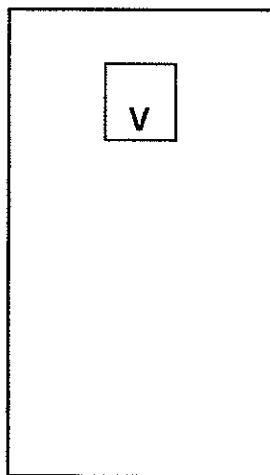
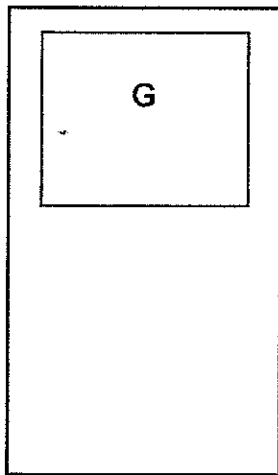
**Diamond Reversible Door**

Diamond Door Products, Ltd.

Steel Doors For Metal Building Manufacturers



**\*\* NOTE \*\*** M AND LV STYLE DOORS, NON-HANDED, REVERSIBLE.  
G STYLE, VISION LITE OR LOUVERED DOORS ARE HANDED



STANDARD DOOR STYLES

# DIAMOND DOOR PRODUCTS, LTD.

52294 HWY 290 WEST  
HEMPSTEAD, TX 77445  
PHONE: 979-826-0238 FAX: 979-826-0317

## "CW" SERIES INSULATED DOORS

### SPECIFICATIONS

20 GA. GALVINIZED FACE SHEETS  
EMBOSSSED OR SMOOTH SURFACES MILL  
BONDERIZED 18 GA. SMOOTH SURFACE ONLY

FLUSH MOUNTED TOP AND BOTTOM  
CHANNELS WELDED TO BOTH  
FACE SHEETS

POLYSTYRENE CORES BONDED TO  
BOTH FACE SHEETS USING A  
TWO PART EPOXY

LONG LASTING BAKED ON  
SPRAY COATED FINISH

AVAILABLE IN WHITE OR BRONZE  
EMBOSSSED OR GRAY SMOOTH  
FINISHES

FULLY CARTONED IN CORRUGATED

BOXES AND POLY BAGGED  
FOR ADDED PROTECTION

DOOR THICKNESS: 1 3/4"

### SPECIFICATION COMPLIANCE

MEETS OR EXCEEDS:  
FED SPEC'S HH-1-524C  
TYPES I, II & III  
MIL-P-40619A, CLASS II GRADE A  
MIL-P-196644C, TYPE II CLASS I  
DOD4270, 1-M  
ASTM-C-578-69, TYPE I & II GRADE II

### BUILDING CODES

ICBO UNIFORM BUILDING CODE  
SECTION 1717  
BOCA-BASIC BUILDING CODE  
SECTION 8765  
SBCCS-STANDARD BUILDING CODE  
SECTION 718  
FHA / HUD-USE OF MATERIALS  
BULLETIN 71

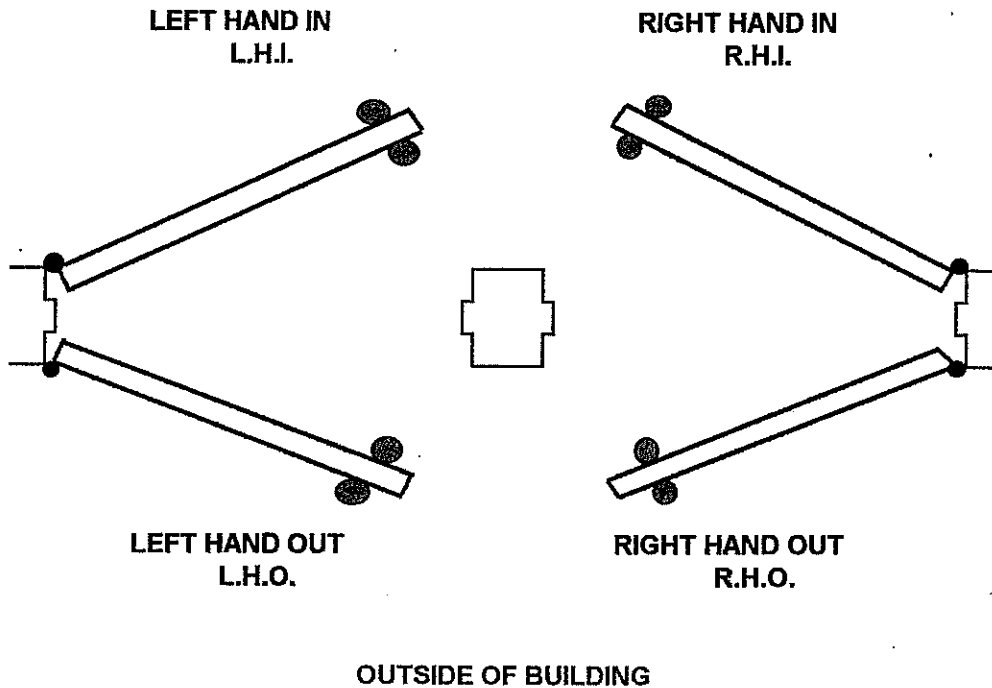
### HIGH POINTS

POLYSTRENE CORE  
THERMOPLASTIC POLYMER  
SOUND TRANSMISSION 32  
"U" FACTOR .16  
"R" FACTOR 6.5 OR GREATER



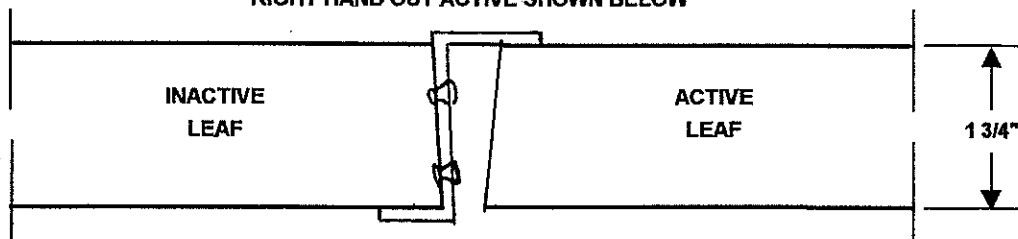
**Diamond Door Products, Ltd.**

**Swing Chart And Overlapping "Z" Astragal**



**\*\* NOTE \*\*** TO DETERMINE SWING OF DOOR, STAND ON THE OUTSIDE FACING THE DOOR OPENING.  
IF THE HINGES ARE ON THE LEFT AND THE DOOR SWINGS OUT, IT IS A LEFT HAND OUT SWING.  
IF THE HINGES ARE ON THE LEFT AND THE DOOR SWINGS IN, IT IS A LEFT HAND IN SWING.

**OVERLAPPING "Z" ASTRAGAL  
RIGHT HAND OUT ACTIVE SHOWN BELOW**



OVERLAPPING "Z" ASTRAGAL IS INSTALLED TO THE INACTIVE LEAF BY USING POP-RIVETS SPACED APPROX. 8" APART AND STAGGERED.

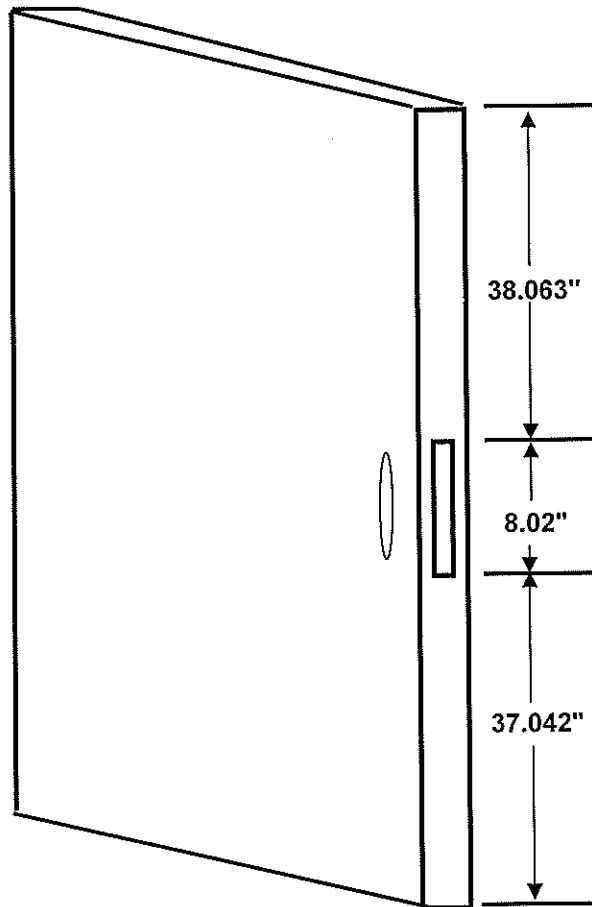
WHEN THE "Z" ASTRAGAL IS ATTACHED TO THE INACTIVE ( STATIONARY ) DOOR, A BACKSTOP IS CREATED FOR THE ACTIVE DOOR TO CLOSE AGAINST. THE "Z" ASTRAGAL IS REVERSIBLE AND WILL ACCOMODATE A CYLINDER LOCK, MORTISE LOCK, AND PANIC HARDWARE ( " J " STRIKE NEEDED ).

A "Z" ASTRAGAL TO RECEIVE DEAD-BOLT LOCKS CAN BE FURNISHED UPON REQUEST.

Diamond Door Products, Ltd.

Door Hardware Locations

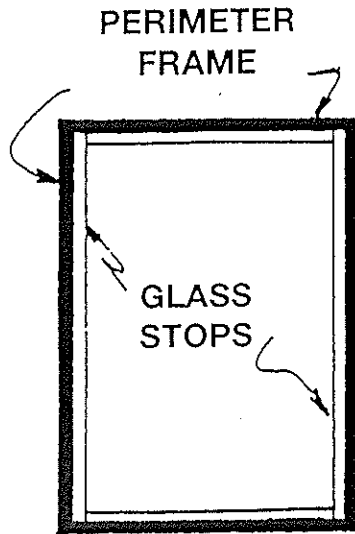
TOP OF DOOR



TYPICAL 3070 DOOR  
GOV.86

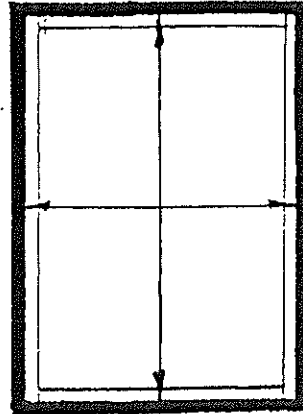
GOV. 86 MORTISE EDGE

# DIAMOND DOOR PRODUCTS, LTD.



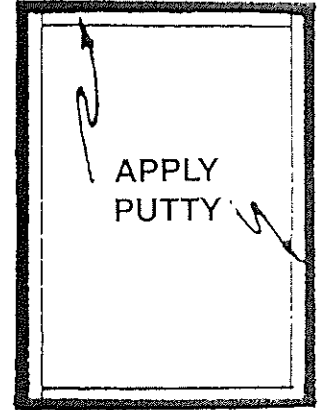
## STEP #1

REMOVE GLASS STOPS (ONE SIDE) BY PUSHING BEAD IN AND UP WITH THUMBS. BOTTOM BEAD FIRST.



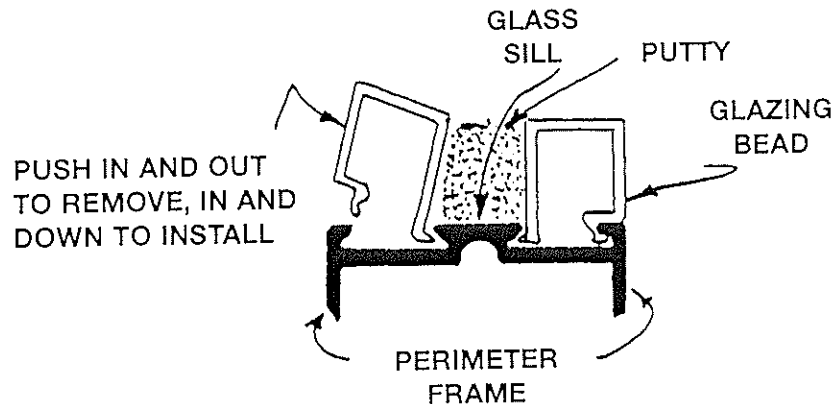
## STEP #2

MEASURE GLASS SIZE REQUIRED FROM STILL TO SILL. SEE DETAIL (A). CUT SIZE OF GLASS 1/4" SMALLER THAN OPNG. SIZE.

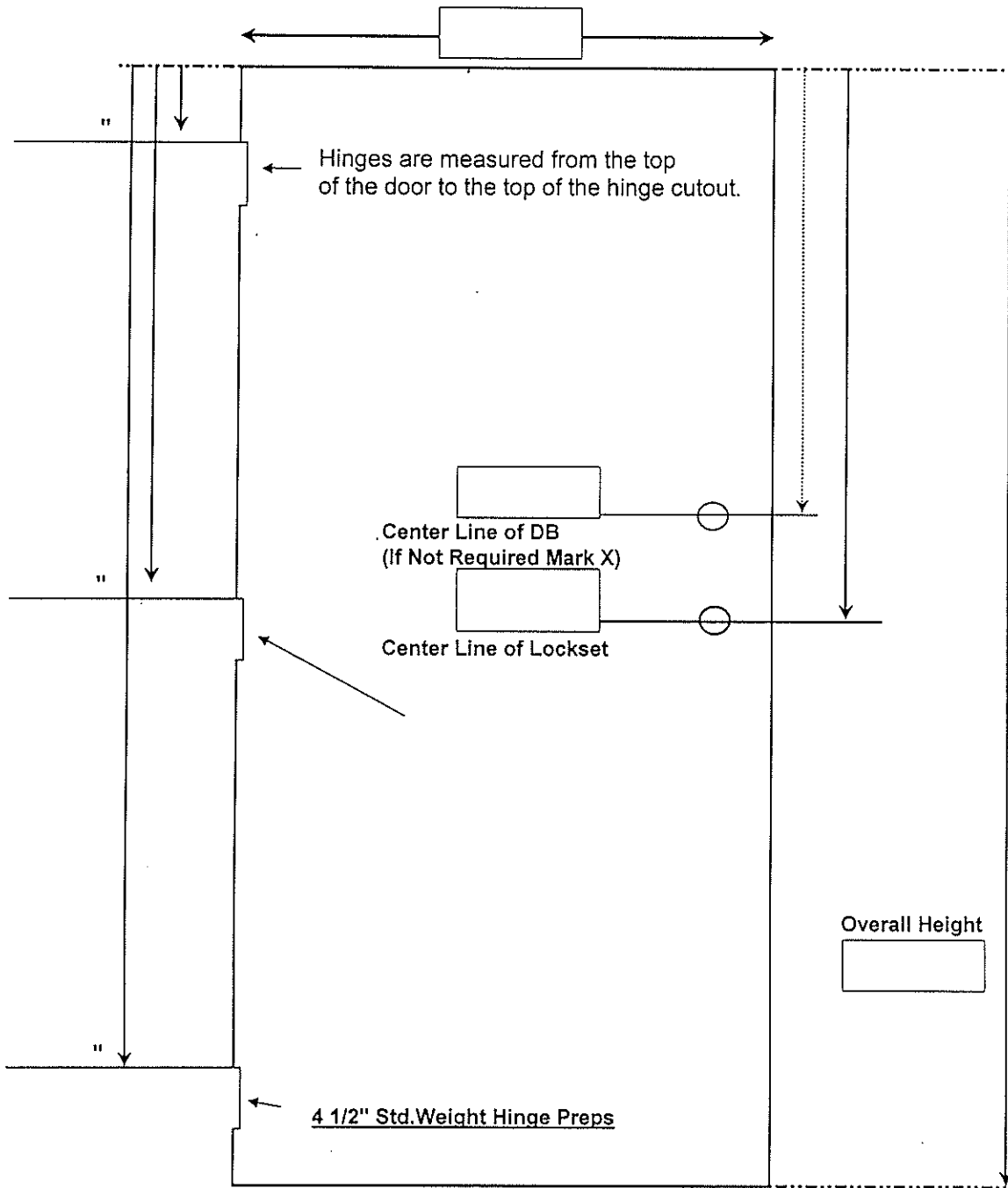


## STEP #3

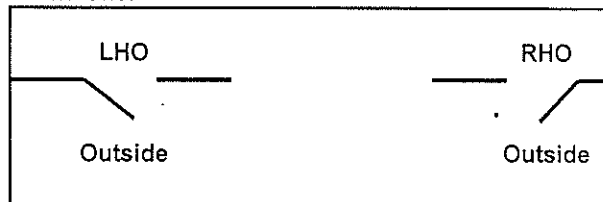
APPLY PUTTY ON SILL AND AGAINST OPPOSITE GLAZING BEAD. AVOID PUTTY IN GROVE FOR BEAD TO BE REPLACED.



DETAIL "A"



Circle One:

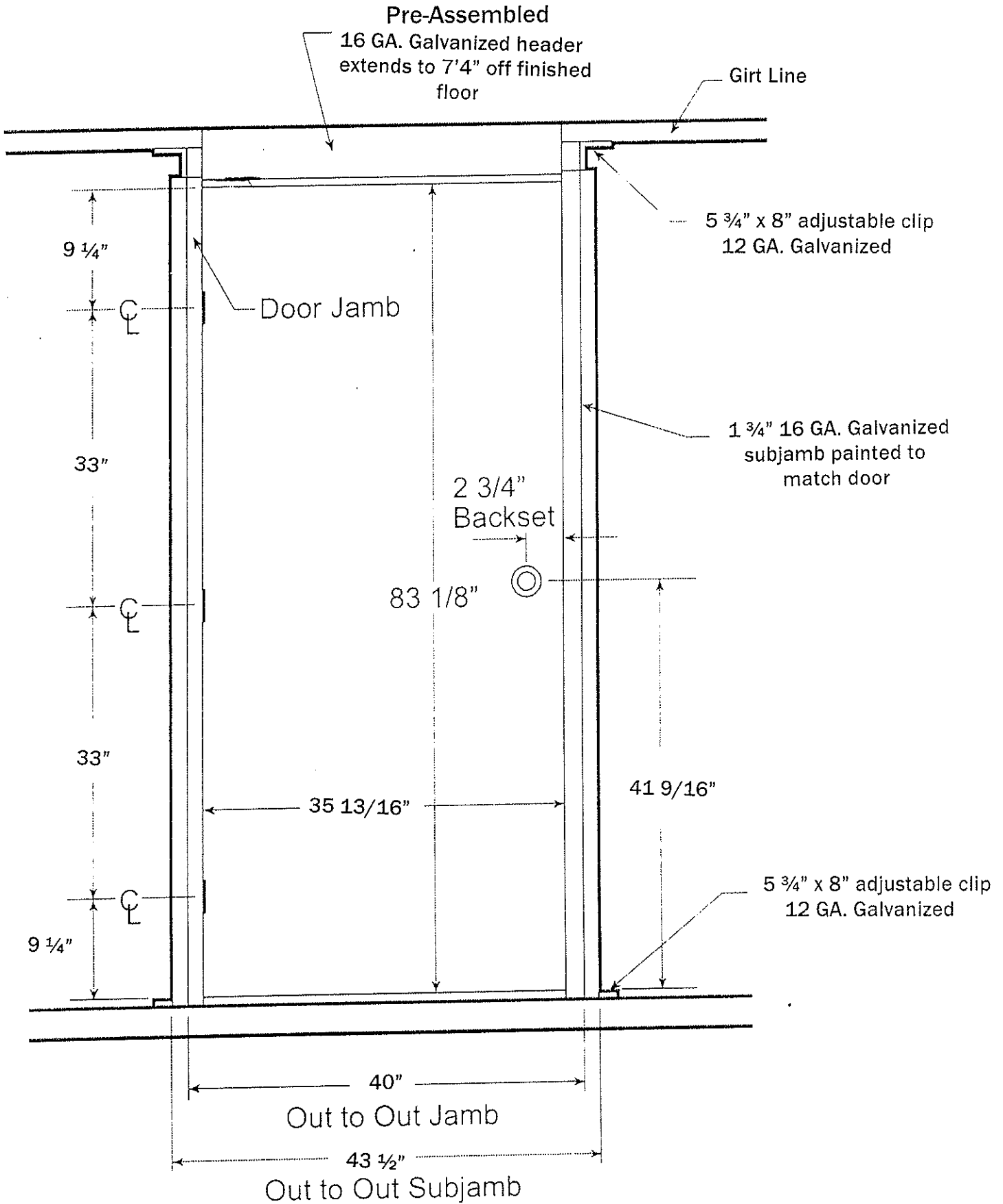


Door Thickness: 1 3/4"  
 Steel: 20 Gauge Galv.  
 Lock Face Bore: 2 1/8"  
 Lock/DB Backset: 2 3/4"

**APPROVED BY:** \_\_\_\_\_

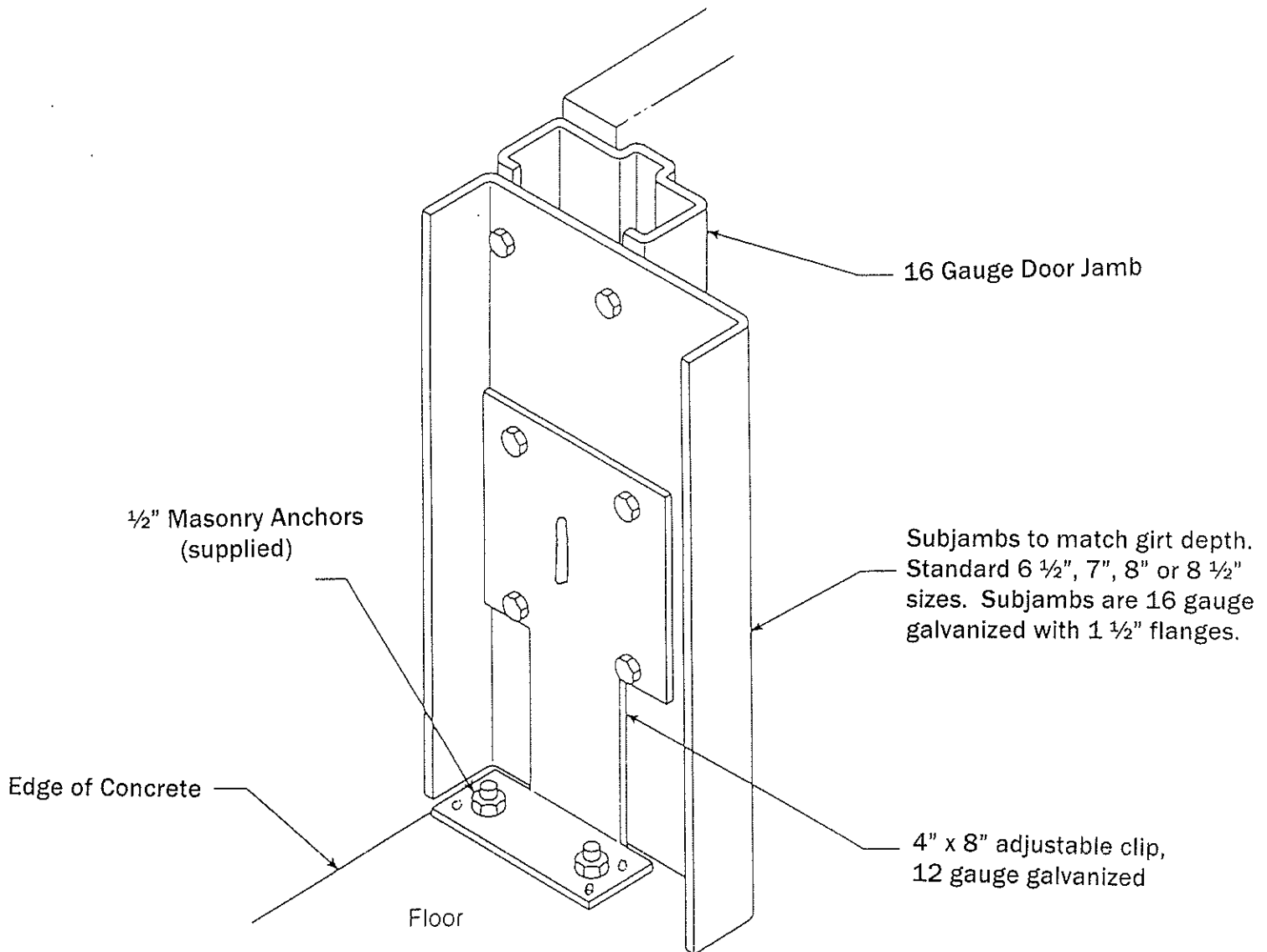
**DATE:** \_\_\_\_\_

# DIAMOND DOOR PRODUCTS, LTD.



# DIAMOND DOOR PRODUCTS, LTD.

## BASE FLOOR ATTACHMENT



# DIAMOND DOOR PRODUCTS, LTD.

## PRE-ASSEMBLED METAL WALL DOOR INSTALLATION GUIDE

### GENERAL PRE-INSTALLATION NOTE

KEYS, ANCHORS, FASTENERS & INSTRUCTIONS for this door are located in the box marked "Keys & Fasteners" enclosed in crate.

### INSTALLATION STEPS

1. After uncrating the door, position it under the girt with the outside edge of the threshold flush with the edge of the concrete. The extended header should be up against the outside face of the girt.
2. **PLUMB AND SQUARE DOOR UNIT.** Check the gap between the top of door and header. It **MUST** be consistent.
3. When the door is plumb, secure the door header to the face of the girt with (2) self-drilling screws. These screws can be removed later if they should interfere with the sheeting or trim.
4. Anchor the door to the floor with the base clips and the (4) anchor bolts provided.
5. Back out the screws holding the top jamb clips and slide clips up to wall girt. Attach clip to wall girt using the self-drilling tek screws provided.
6. Remove screws holding door leaf shut and check for proper operation.
7. Anchor threshold to floor using (3) anchors provided. Caulking of threshold is required.
8. Adjust weather stripping and sweep to eliminate light leaks by backing out screws slightly, make adjustment, and retighten screws.

### ADJUSTMENTS and OPERATION

1. Check frame to ensure unit is **PLUMB AND SQUARE**. If door system is **NOT PLUMB AND SQUARE** it may affect operational functions of the hardware.
2. Check floor level at each jamb. Shim under jamb needing adjustment.
3. If gap around door is unequal, shim hinges appropriately.

### AFTER INSTALLATION CARE

**WARNING:** Industrial and / or commercial chemicals used in cleaning or sealing, as well as those chemicals contained in concrete may react negatively with the finishes on the parts of this door. This reaction may destroy the galvanization and finishes on these products resulting in future rust and void any warranties.

**DO NOT** allow concrete or commercial / industrial chemicals / sealants to come in contact with the finishes on this door. Residential strength 409 is recommended for cleaning if necessary.

# **DIAMOND DOOR PRODUCTS, LTD.**

## **PROCEDURE FOR CHANGING SWING ON PRE-ASSEMBLED**

**Step 1:** Place complete unit on flat surface with door facing down. Remove the four galvanized "L" clips located one in each corner.

**Step 2:** Remove header and threshold, and re-attach at opposite ends. (Header for threshold, threshold for header).

**Step 3:** Re-attach galvanized "L" clips one at each corner of unit.

**Step 4:** Unit can now be installed into opening, following instructions supplied with unit.

**Step 5:** Remove door sweep and attach to the outside bottom of door. (White silicone caulk can be used to fill screw holes left when removing door sweep).