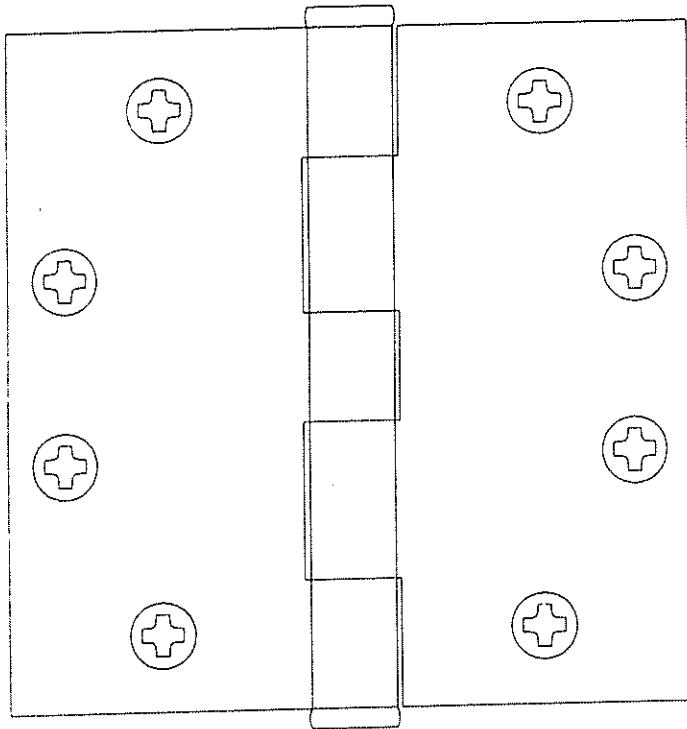


# DIAMOND DOOR PRODUCTS, LTD.

Hinges – Steel and stainless steel hinges



Finishes:

PC3 - powder coated white

PC4 - powder coated bronze

US26D - satin chrome

US32D - satin stainless

USP - prime painted gray

Conforms to ANSI A156.1

Plain bearing steel

Two ball bearing steel

Two ball bearing stainless steel (US32D satin stainless finish only)

4 ½" x 4 ½" x .134" standard weight

Pins:

Non-removable button tip steel pins

Stainless steel hinges have stainless steel pins

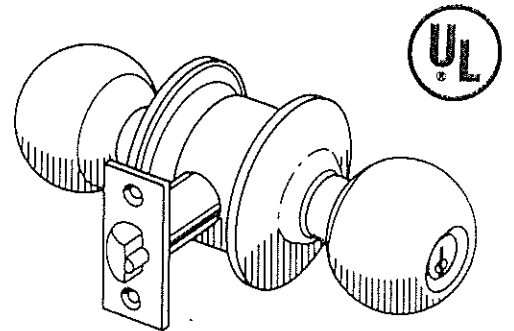
Removable threaded set screw in barrel prevent pin from being removed when door is closed.

# DIAMOND DOOR PRODUCTS, LTD.

## GRADE 2 BALL KNOB LOCKSET:

UL listed entry locks have three hour fire rated latches, and otherwise have all the features of the heavy duty B9160 series

Additionally, they meet ANSI-A156-2, Series 4000, Grade 2 specifications. The keyway is SC-1 #1145, or Arrow keyway K. The tumbler is six pin keyed to five pins, and the exit from the inside is panic resistant. The cylindrical lock housing is cold rolled steel that has been line dichromated for corrosion resistance.

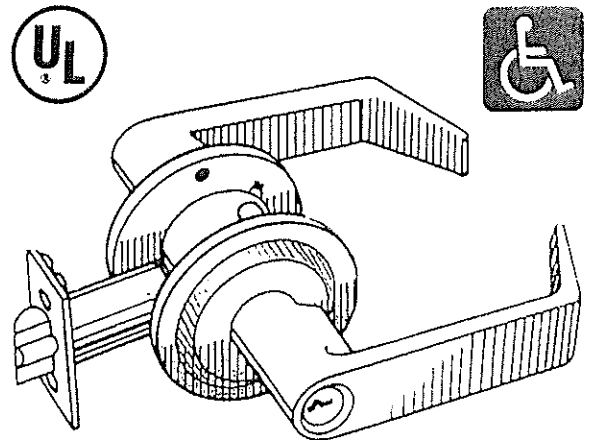


UL listed locks have 3 Hour fire rated latches & 2 spin-on roses. All with 4 7/8" ANSI strike.

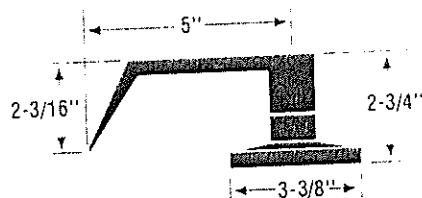
## GRADE 2 LEVER LOCKSET:

UL listed, ADA approved Grade 2 barrier-free leversets are ready for all ADA and other needs in passage, privacy, storeroom, classroom and dummy functions, in addition to entry models. The customer may provide the lock cylinder and key. Leversets meet ANSI A156.2 Series 4000 Grade standards and more than fulfill ADA requirements. The ANSI Series 4000 standard exceeds 400,000 operating cycles.

- Special keying available (master & grand master)
- 2 3/8" BS available upon request
- Grade 2 leverset with two step rose

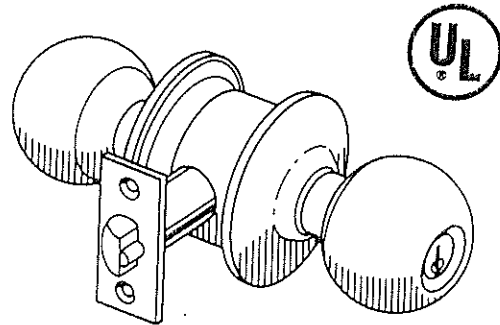


Lever sets meet all Grade 2 requirements, and are available in boxed or clamshell package.



# DIAMOND DOOR PRODUCTS, LTD.

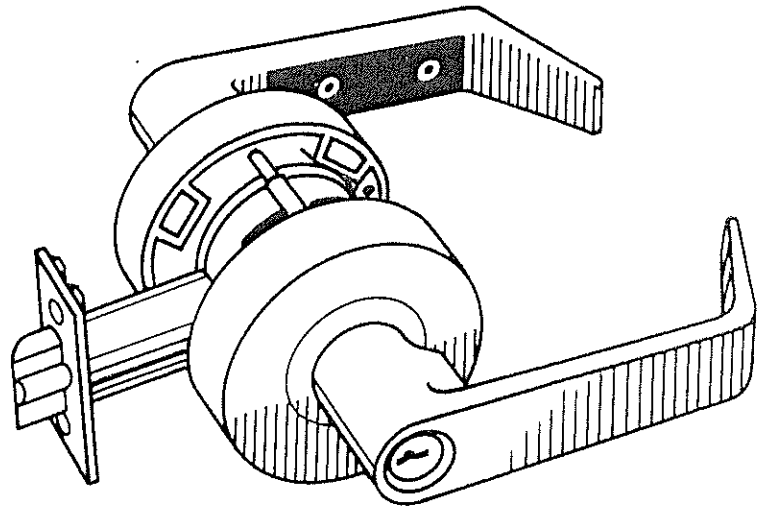
## GRADE 1 BALL KNOB LOCKSET:



## GRADE 1 LEVER LOCKSET:

Introducing our supreme Grade 1 Extra heavy duty contractor quality leversets.

- Engineered and manufactured for the heaviest barrier-free use
- Meets or exceeds Federal ADA requirements
- UL latch bolt standard for every function, with ½" throw
- Large 3 ½" diameter roses for new or replacement installations
- 4 7/8" ANSI strike is standard with each lock
- UL listed, 3 hour fire rated 2 ¾" backset commercial latch
- Extra heavy cylindrical construction for long wearing durable use
- Extra heavy duty mounting plates are resistant to attack
- 6 pin tumbler, SC-1 Keyway
- Mounting studs prevent chassis rotation from heavy torque to the outside lever
- Accepts Lori, DOM, or Medeco convert-a-lock cylinders
- Outside cylinder is easily removed for simple cylinder rekeying
- Dead locking latch on all keyed leversets
- Special keying available (master and grand master)

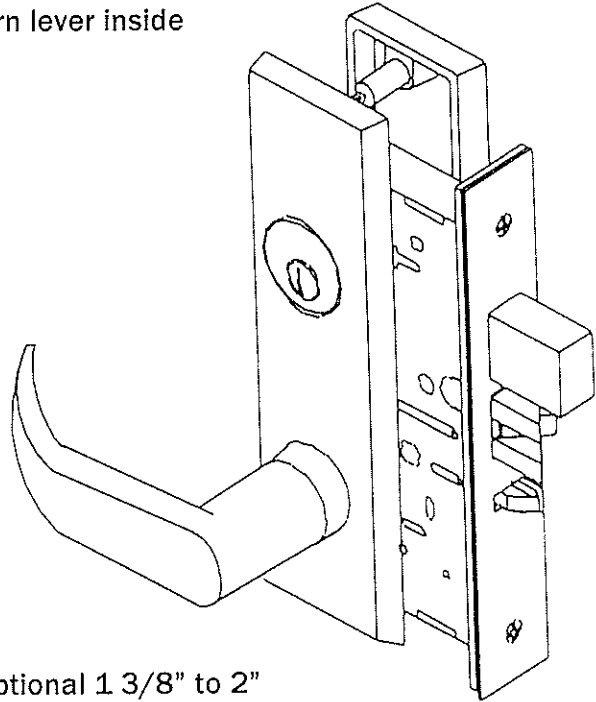


# DIAMOND DOOR PRODUCTS, LTD.

## MORTISE LEVER LOCKSET

### MORTISE LOCKS ARE ENTRANCE FUNCTION

- Latchbolt by key outside or by grip either side unless outside grips locked by toggle action stop
- Deadbolt by key outside or by thumbturn lever inside

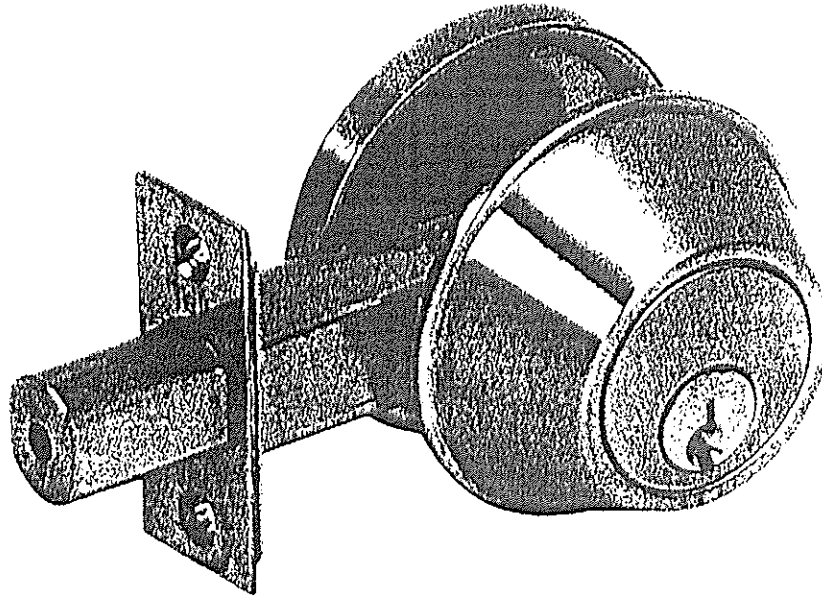


### FEATURES:

- Mortise type
- Non-handed, field reversible
- Door thickness 1 3/4" to 2" standard. Optional 1 3/8" to 2"
- Latch backset 2 3/4"
- Case is 13 gauge cold rolled steel mechanism / dichromated for corrosion resistance
- Lock front beveled 1/8" on 2" stainless steel, wrought brass or bronze
- Strike curved or straight lip stainless steel, wrought brass or bronze
- Latch 3/4" throw stainless steel, anti-friction standard
- Deadbolt 1" throw stainless steel
- Trim solid forged brass levers, roses, escutcheons and turns / concealed fasteners on sectional trim
- Mortise cylinder Schlage "C" 6 pin standard. Other manufacturer keyways available including small format interchangeable core
- Keying features available with keyed alike, keyed different, master keying, construction master keying, grand master keying and interchangeable core
- Keys include two nickel silver per lock cylinder
- UL listed for 'A' label (3 hour) single swing doors
- Meets ANSI A117.1 accessibility (ADA) code
- Meets ANSI A156.13 series 1000, grade 1

# DIAMOND DOOR PRODUCTS, LTD.

## STANDARD DUTY GRADE 2 DEADBOLT



### FEATURES:

- Tubular type construction
- Non-handed
- Accommodates door thickness 1 3/8" to 1 3/4"
- Latch backset adjustable 2 3/8" to 2 3/4"
- Latch 1" throw with saw resistant pins
- Fits standard 160 / 161 door prep
- Cylinder Schlage "C" 6 pin standard. Other manufacturer keyways available including small format interchangeable core
- Keying features available with keyed alike, keyed different, master keying, construction master keying, grandmaster keying and interchangeable core
- Keys include two nickel silver per lock cylinder
- Meets ANSI A156.5, grade 2
- Warranty 2 year limited

# DIAMOND DOOR PRODUCTS, LTD.

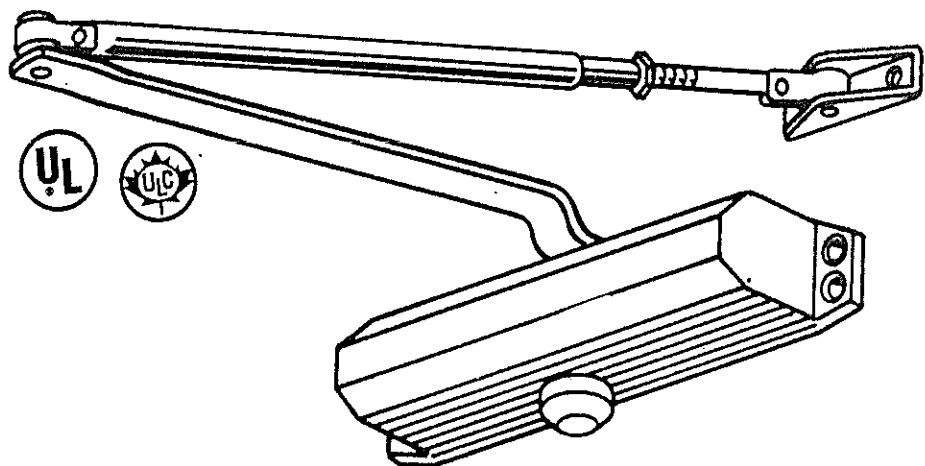
## GRADE 1 HEAVY DUTY SURFACE APPLIED CLOSER

### Features:

- Available in fixed spring sizes 3, 4, 5 or 6. A 15% power adjustment is available using the regular arm shoe
- 641 is spring power adjustable sizes 1 – 4 to meet barrier free requirements for interior doors
- 640 is spring power adjustable sizes 3 – 6 to meet barrier free requirements for exterior doors
- Standard packaging permits mounting in regular, top jamb or parallel arm applications
- Forged steel main arm for superior strength, adjustable extension arm for ease of mounting
- Standard arm accommodates reveals up to 3 ¼"
- Door opening to 180 degrees
- Non-handed
- Adjustable hydraulic backcheck standard to provide cushioning and prevents uncontrolled opening of the door
- Two independent non-critical adjusting valves for sweep and latch to provide consistent closing speeds
- Conforms to ANSI 156.4 Grade 1
- UL listed
- Retrofits traditional closer having 9 1/16" horizontal & 3/4" vertical mounting hole locations
- Fasteners compatible for aluminum, hollow metal and wood doors and frames
- Shipped with a full cover
- 25 year warranty

### Options:

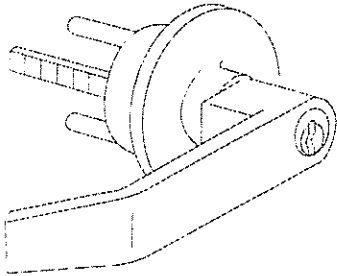
- Hold open
- Delayed action



# DIAMOND DOOR PRODUCTS, LTD.

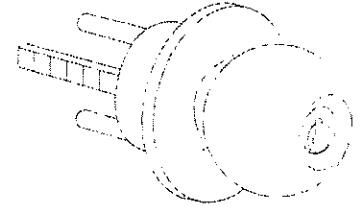
## Low Profile Rim Exit Device

### OUTSIDE TRIM

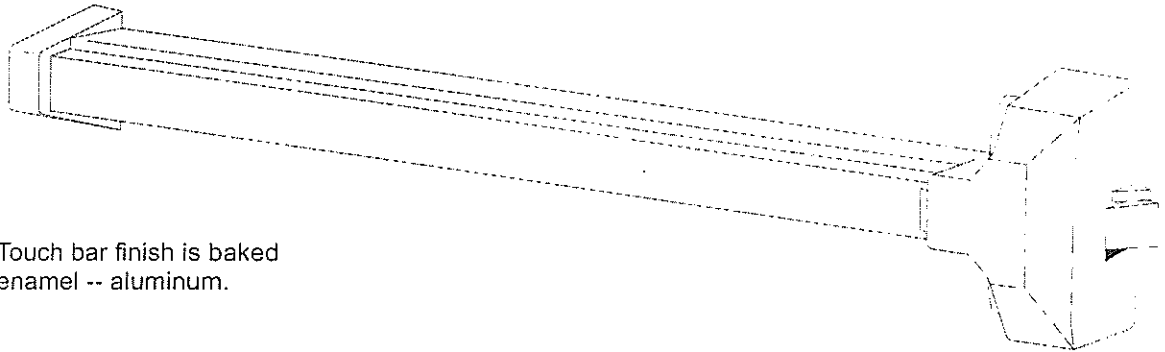


LEVER  
LL520/US26D

Cylinder locks or  
unlocks knob or lever.  
When unlocked, knob  
or lever retracts  
latchbolt.



KNOB  
KL520/US26D



Touch bar finish is baked  
enamel -- aluminum.

Rim Strike: Standard; single door or  
pair of doors with mullion. Surface  
mounts to frame stop. No mortising.  
Supplied with two spacer plates.



### SPECIFICATIONS:

**Chassis Mount Construction:** Operating mechanism assembled on single chassis which mounts on door; removal of case cover permits inspection/maintenance.

**Easy Dogging:** Half-turn of hex-dogging key locks flat bar in the depressed position; latchbolts and upper/lower latchbolts/deadbolts held retracted.

**Door Thickness:** 1-3/4" when used with operating trim.

**Door Width:** Flat bar length available for two standard door widths; doors 30">36" wide; doors 36">42" wide; flat bar easily field cut to specific width. Available for doors 42">48" wide on special order.

**Material:** Base and flat bar, steel; covers, high-density rust-resistant alloy.

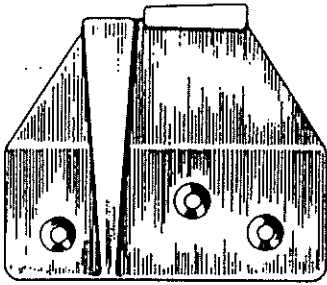
**Minimum Stile Width:** 4-1/2"

**UL Listed:** Panic Hardware.

**Reversible Design:** Hand can be easily reversed in the field.

No. PS-09

Overlapping  
Strike



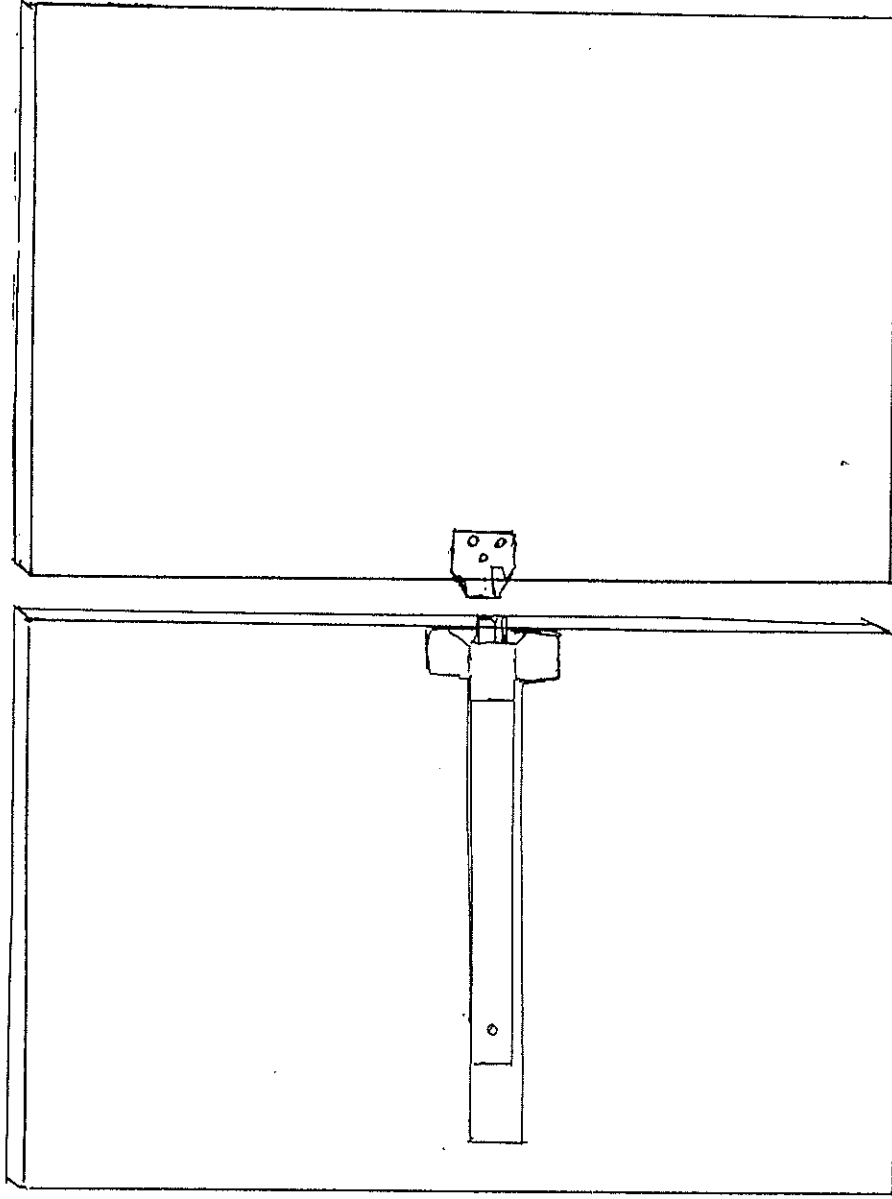
For pair of doors,  
use overlapping  
strike No. PS-08.

With the panic bar installed on the active leaf, close both doors and line up overlapping strike behind latchbolt on panic bar deadlocking latch must ride on top of raised portion of overlapping strike. located and drill holes to mount overlapping strike.

Overlapping strike is attached to the inside face of the inactive door using through bolts.

Diamond Door Products, Ltd.

Door Hardware Locations



Diamond Reversible Door

# DIAMOND DOOR PRODUCTS, LTD.

## Removable Aluminum Door Mullion Installation Instructions

1. Install bottom fitting using anchors provided as shown in Fig. A & Fig. B
2. Drill and tap frame top fitting as shown in Fig. A
3. Determine height of mullion by:
  - a. Place top mullion fitting onto top of mullion
  - b. Locate mullion into door opening as shown in Fig. C
  - c. If mullion does not fit into opening:
    1. Measure opening size "X" as shown in Fig. C
    2. Subtract  $\frac{3}{4}$ " from "X" dimension
    3. Cut mullion to proper location, follow steps A & B
4. Install top mullion fitting with (4) mounting screws into door frame
5. Place mullion over bottom fitting and into top fitting, install and securely tighten set screws into top and bottom fittings
6. Locate hole in top fitting and drill through mullion at this point  
And install carriage bolt and lock nut provided
7. Proceed with device installation

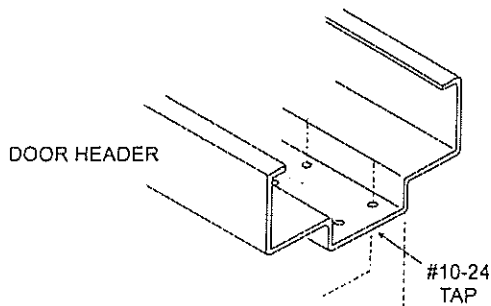


Fig A.

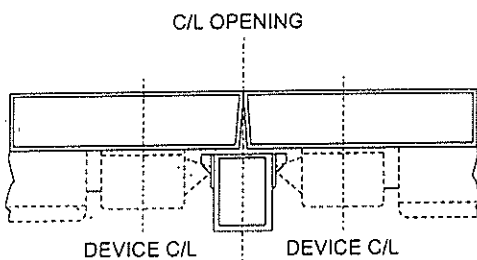


Fig B.

Bar Weight 8.2 lbs.  
Total Weight 10 lbs.

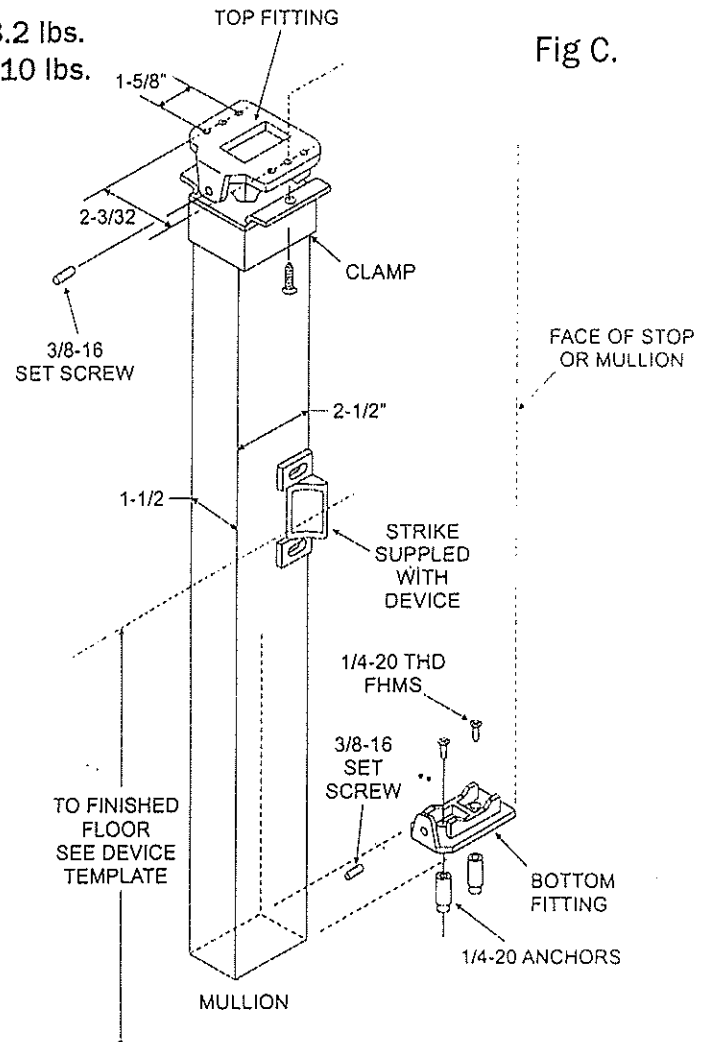
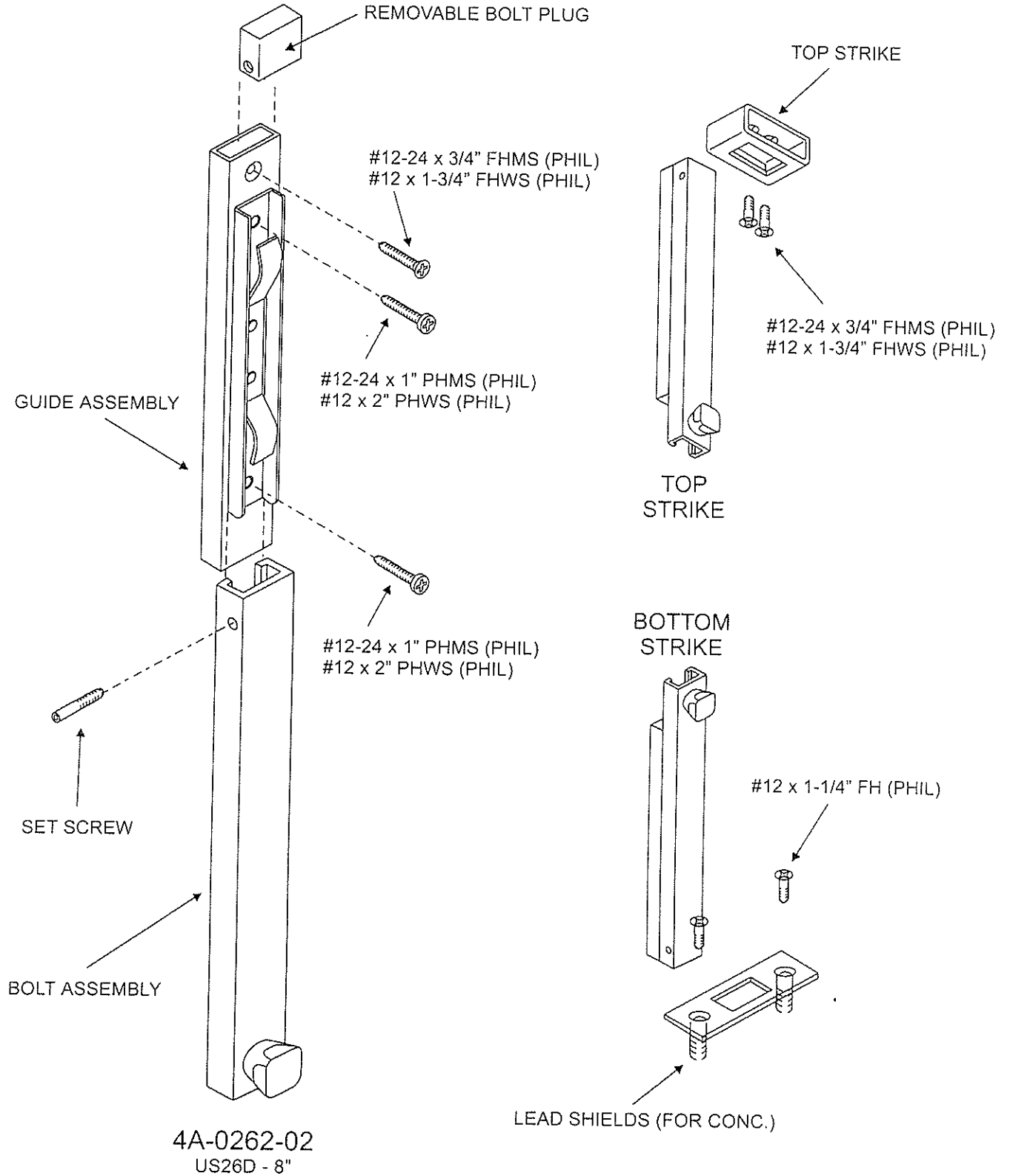


Fig C.

# DIAMOND DOOR PRODUCTS, LTD.

## Surface Bolts for Inactive Leaves of Double Doors



# DIAMOND DOOR PRODUCTS, LTD.

## FILLER PLATES



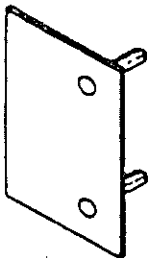
**HFSE**  
4 7/8" frame strike-filler plate. Gray finish



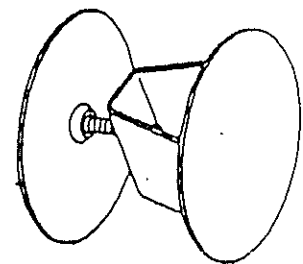
**HFDME**  
Door edge filler plate. Covers door edge prep for mortise lock. 1 1/4" X 8". Gray finish



**HFDE**  
Door edge filler plate. Covers door edge prep for cylinder lock. 1 1/8" X 2 1/4". Gray finish



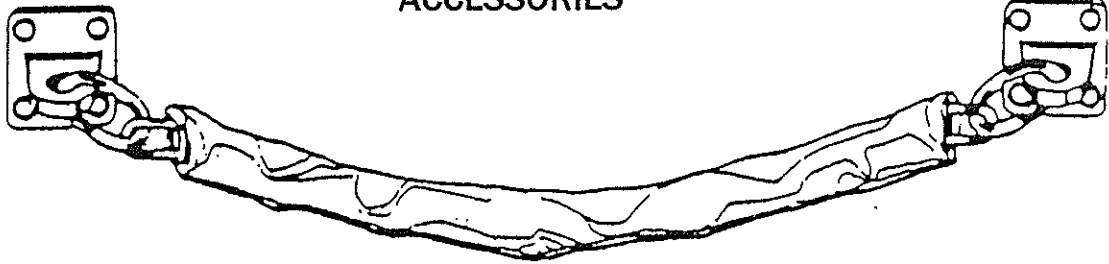
**BE TRIM**  
For 19 series exit only panic. Covers outside cylinder lock prep. Aluminum finish (US28)



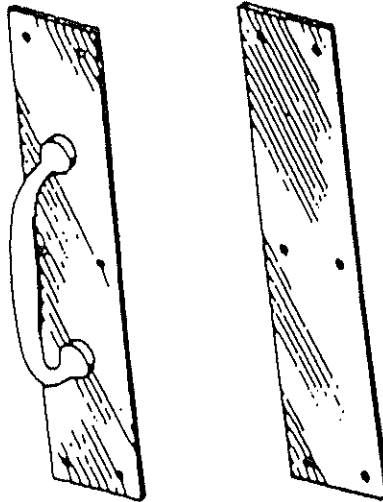
**HFP**  
For inactive leaf of double Doors. Covers inside and outside cylinder lock prep. White, bronze or gray finish

# DIAMOND DOOR PRODUCTS, LTD.

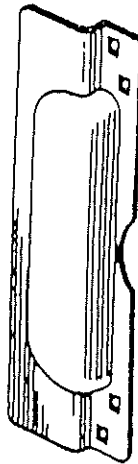
## ACCESSORIES



**HSC CHAIN DOOR STOP:**  $\frac{1}{2}$ " x  $\frac{1}{2}$ " cast brass base plate, welded steel chain, vinyl cover, 25  $\frac{1}{2}$ " overall length



**HPH / HPP PUSH PULL** 3  $\frac{1}{2}$ " X 3  $\frac{1}{2}$ "  
Stainless steel finish (US32D)



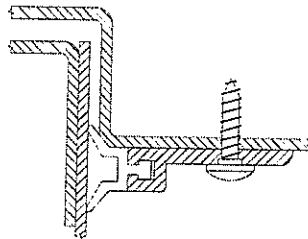
**HLG LATCH GUARD**

# DIAMOND DOOR PRODUCTS, LTD.

## Bolt on Door Sweep w/ Saddle Threshold

Aluminum w/ Vinyl Seal

.HW3 Weatherstrip  
(3070, 4070, 6070 & 8070)

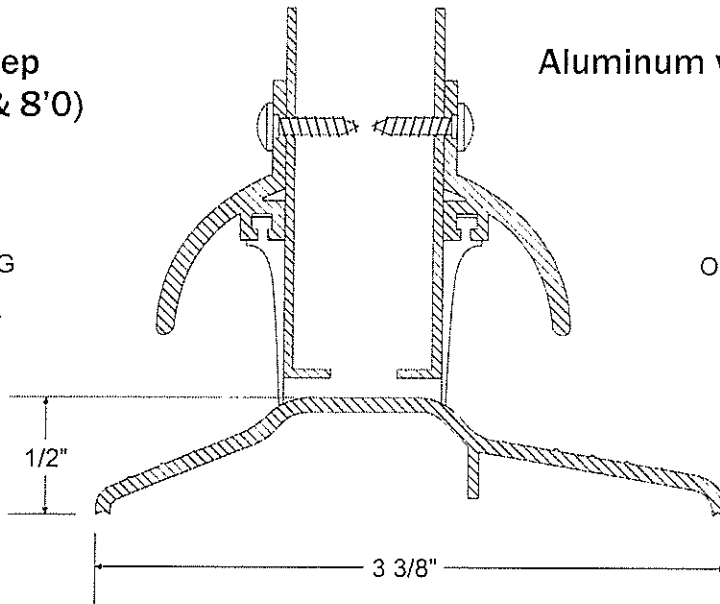


154-AV acts as an effective raindrrip and door bottom seal.

HDS Door Sweep  
(3'0, 4'0, 6'0 & 8'0)

Aluminum w/ Vinyl Seal

USE  
INSWING



USE  
OUTSWING



37A Threshold  
Aluminum

# DIAMOND DOOR PRODUCTS, LTD.

## ALUMINUM DOOR LOUVERS

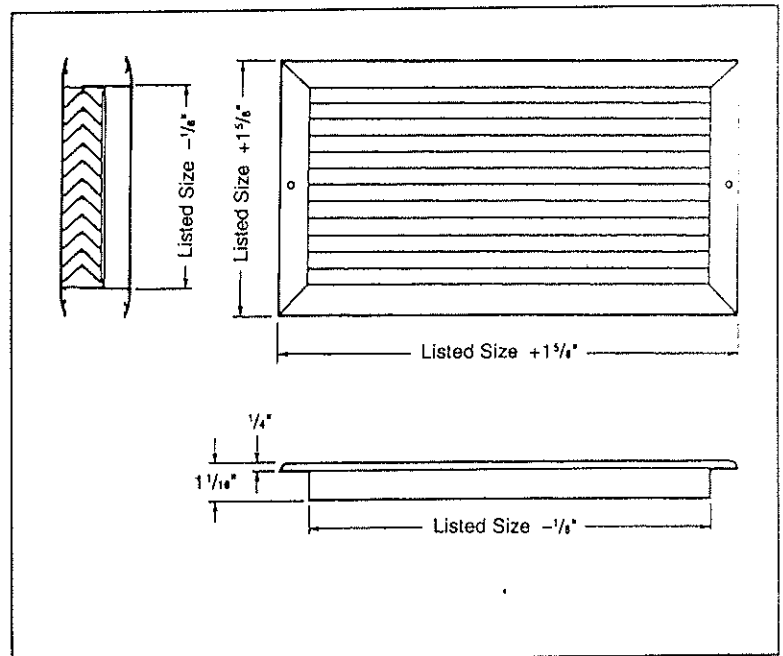
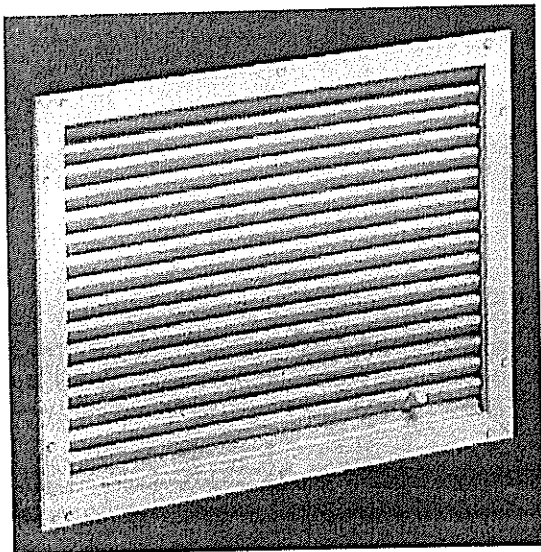
### SPECIFICATIONS:

- Extruded aluminum frame with mitred / welded corners, pre-punched mounting screw holds
- Individually extruded aluminum "V" blades, horizontally set on  $\frac{3}{4}$ " centers, fixed at a 37 degree angle for vision proof
- Finish is gray powder coated
- Louver free area is approximately 63% of order size
- Door cut-out is order size

### ORDERING INFORMATION:

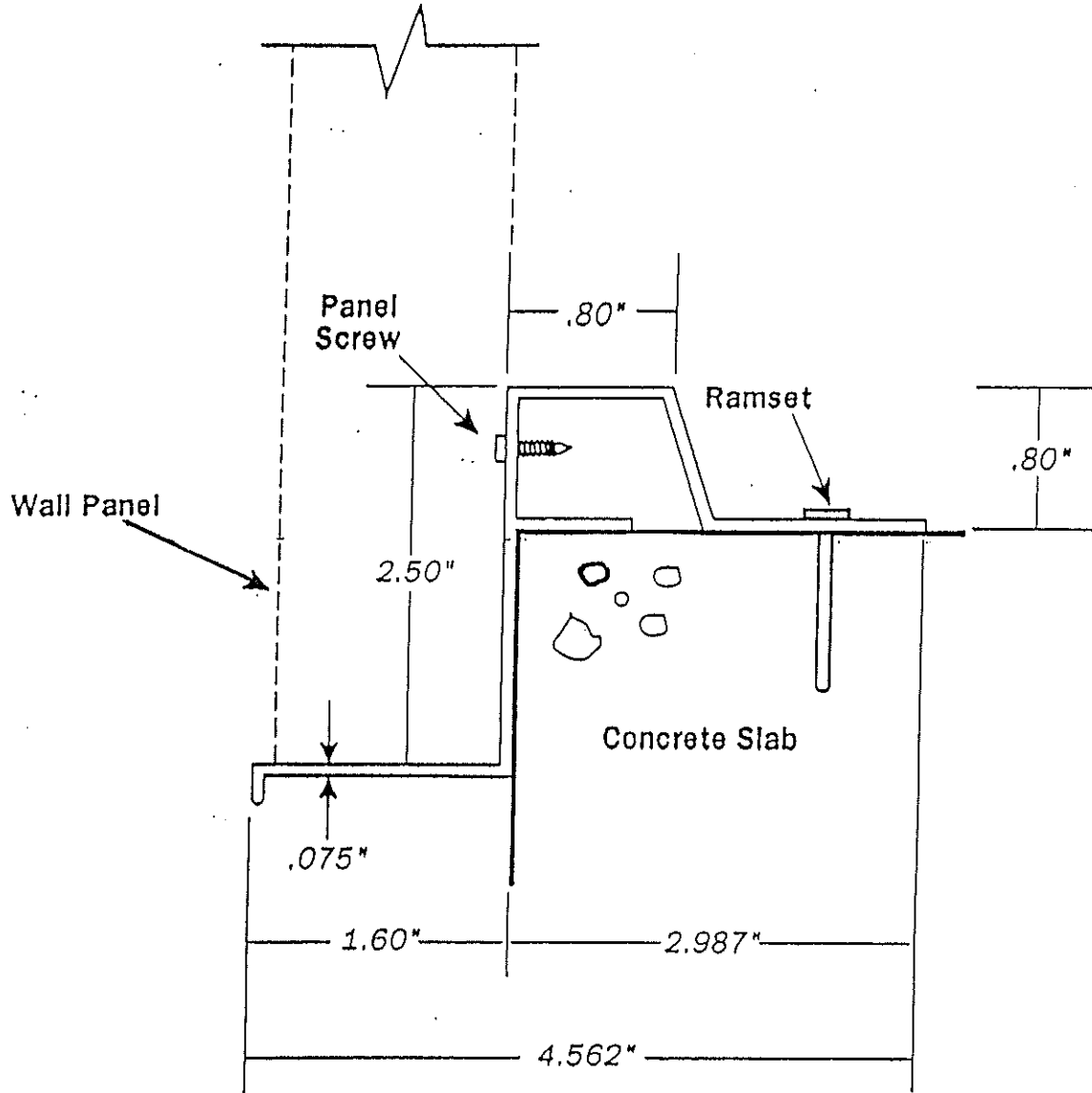
- Order size is rough opening size
- Order by width (first) x height (last)
- Finish is clear anodized, then gray powder coated
- Custom sizes are available with a 6 week lead time
- Individually cartoned for protection during shipping and for inventory organization

- For use in  $1\frac{3}{4}$ " doors
- For interior or exterior use
- Vision proof



# DIAMOND DOOR PRODUCTS, LTD.

## Panel Support Trim



### Part Number

BTB

BTW

### Description

Painted Bronze 10' Long

Painted White 10" Long

### Material

6063-T5 Aluminum